



### GKEC03L



*Actual product appearance may vary.*

**GKE Series, Dual Entry Key-Operated Safety Interlock Switch, 1NC/1NO Direct Opening, Slow Action, Break-Before-Make (B.B.M.), 20 mm, Plastic, Silver Contacts**

#### Features

- Positive opening safety contacts
- Multiple contact configurations
- Rotating head allows actuator engagement from five orientations
- Double insulation per IEC 60947-5-1
- Choice of two standard actuators
- Small size
- Global approvals (cULus, CE, CCC)

#### Potential Applications

- Plastic molding equipment
- Packaging machinery
- Semiconductor manufacturing equipment
- Woodworking machinery
- Metal converting equipment
- Printing/paper finishing equipment

#### Description

The GKE Series safety key-operated switch provides superior reliability for safety hard guarding applications in a compact, cost-effective package. The GKE

Product Specifications	
Product Type	Key Operated Safety Interlock Switch
Actuator	Key
Switch Type	1NC/1NO Direct Opening, Slow Action, Break-Before-Make (B.B.M.)
Contact Material	Silver
Termination Type	20 mm
Ampere Rating	100 mA to 10 A (Thermal)
Voltage	600 Vac and 250 Vdc Maximum
Housing Material	Plastic
Housing Type	EN50047
Series Name	GKE

Shock	50 g per IEC 68-2-27
Vibration	10 g per IEC 68-2-6
Sealing	IP66, NEMA 1, 12, 13
Approvals	cULus, CE, CCC
CSA File #	E37138
UL File #	E37138, E157416
Agency Approvals and Standards	IEC 947-5-1, EN60947-5-1
Mechanical Life	1 Million
Operating Temperature Range	-25 °C to 85 °C [-13 °F to 185 °F]
Availability	Global
UNSPSC Code	302119
UNSPSC Commodity	302119 Switches and controls and relays
Note 1	Low Voltage Directive 73/23/EEC, as amended by directive 93/68/EEC. Machinery Directive 98/37/EEC only as the directives relate to the components being used in a safety function.

HONEYWELL  
PART NUMBER  
GKE SERIES CHART 1

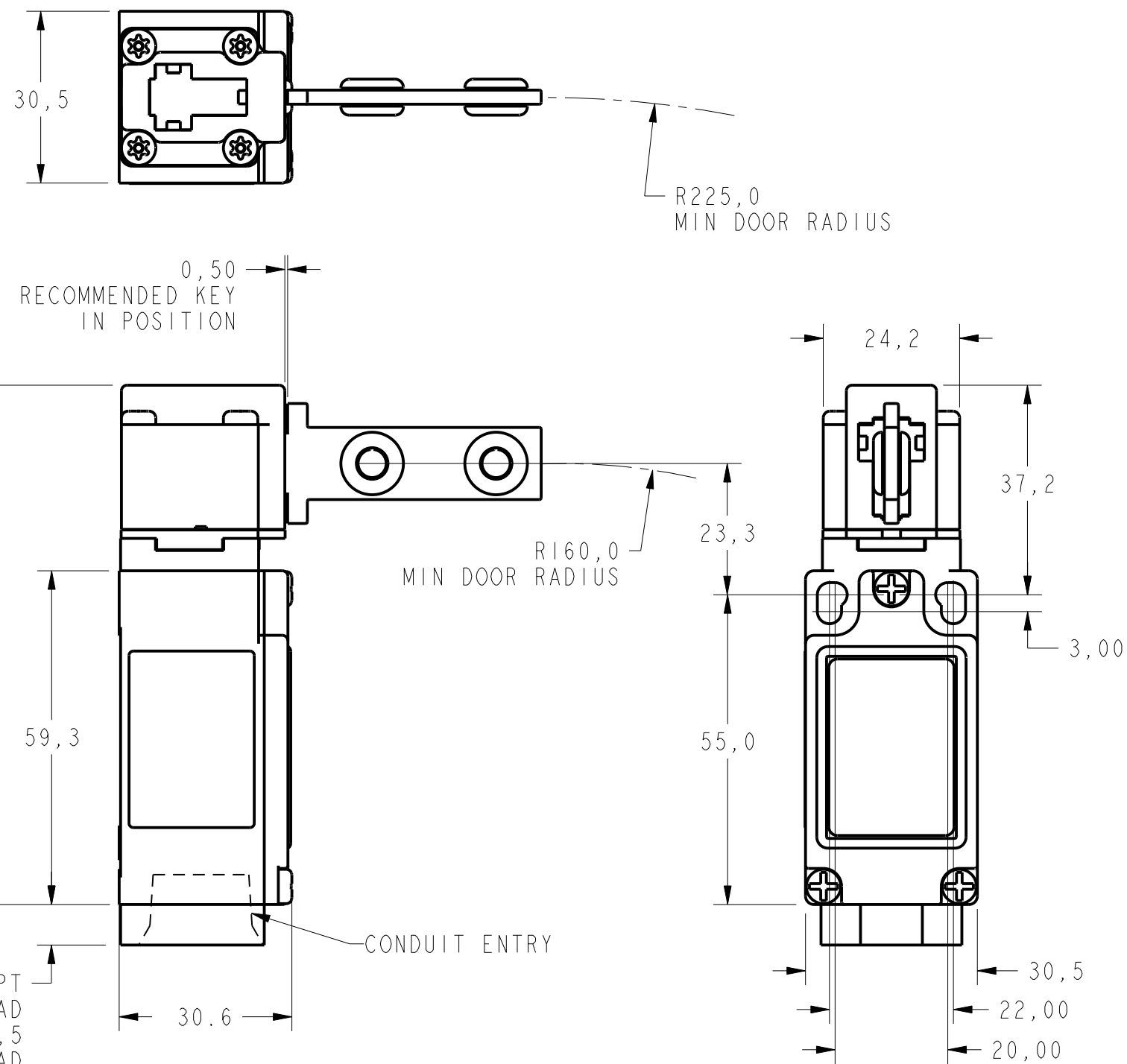
# GKE

REV	DOCUMENT	CHANGED BY	CHECK
B	0016724	TSG 08NOV05	RJ

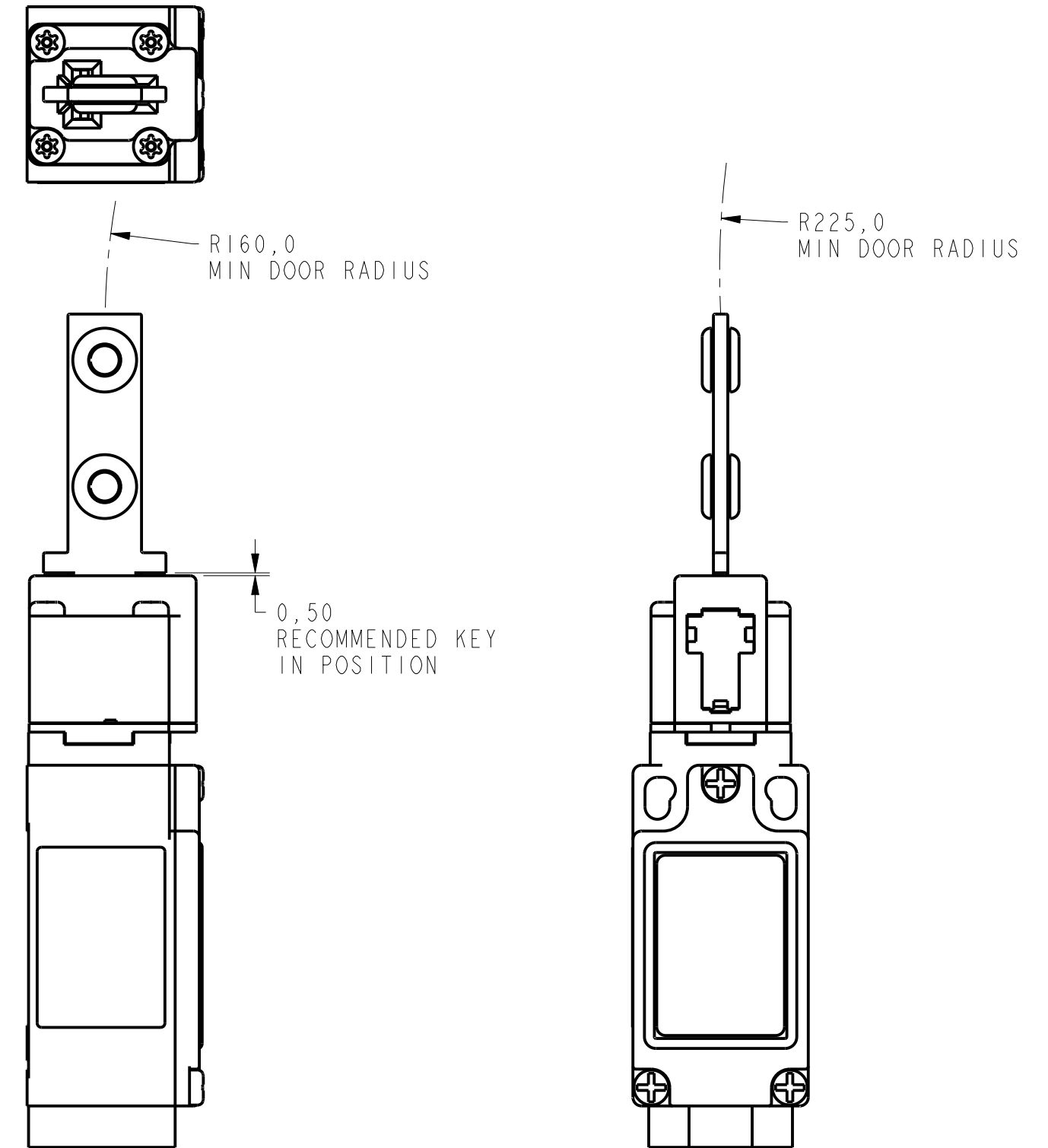
NOTES

- 1 - THERMOPLASTIC BODY AND HEAD
  - 2 - MINIMUM OPERATING VELOCITY ( $V_{min}$ ) = 2 mm/S  
MAXIMUM OPERATING VELOCITY ( $V_{max}$ ) = 200 mm/S  
MAXIMUM OPERATING FREQUENCY ( $F_{max}$ ) = 100 OPS/MIN
  - 3 - INSERTION FORCE = 7N NOM  
EXTRACTION FORCE = 15N NOM  
DISCONNECT FORCE = 25N MAX
  - 4 - SNAP ACTION N.C. CONTACTS: POSITIVE OPENING  
SLOW MAKE AND BREAK N.C. CONTACTS: DIRECT ACTING
  - 5 - WHEN KEY IS INSERTED: N.C. TERMINALS ARE 11/12 AND/OR 21/22  
N.O. TERMINALS ARE 13/14
- 6 - SEE BASIC SWITCH COLUMN FOR VOLTAGE RATING
- 7 - T-15 TAMPER PROOF TORX DRIVER BIT GKZT15BIT MAY BE PURCHASED SEPARATELY FOR USE IN REORIENTING OPERATING HEAD, SEE INSTALLATION INSTRUCTIONS
- 8 - SWITCH MUST OPERATE BEFORE REACHING MINIMUM INSERTION DISTANCE
- 9 - KEY ACTUATOR NOT SUPPLIED WITH PRODUCT, ACTUATOR MUST BE PURCHASED SEPARATELY
- 10 - RECOMMENDED TIGHTENING TORQUE FOR MOUNTING SCREW : 1 - 1,4 Nm
- 11 - ENCLOSURE DOUBLE INSULATED TO IEC 536 CLASS II

CONDUIT CODE		BASIC SWITCH CODE <sup>6</sup>		HEAD ORIENTATION CODE	
CODE		CODE		CODE	
<b>A</b>	1/2 NPT	<b>01</b>	SNAP ACTION INC - INO, A600	<b>L</b>	OPENING TO FRONT AND TOP
<b>C</b>	20 MM	<b>03</b>	SLOW ACTING INC - INO BBM, A600	<b>M</b>	OPENING TO RIGHT AND TOP
		<b>06</b>	SLOW ACTING 2NC, A500	<b>N</b>	OPENING TO BACK AND TOP
				<b>P</b>	OPENING TO LEFT AND TOP



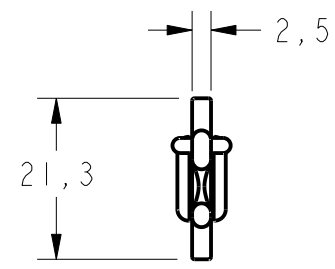
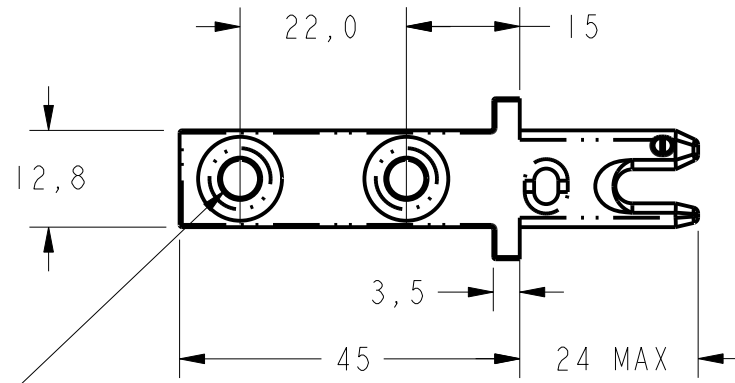
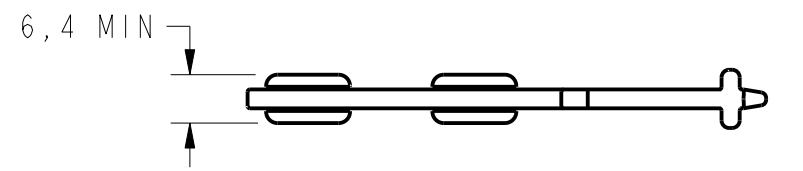
FRONT ENTRY



TOP ENTRY

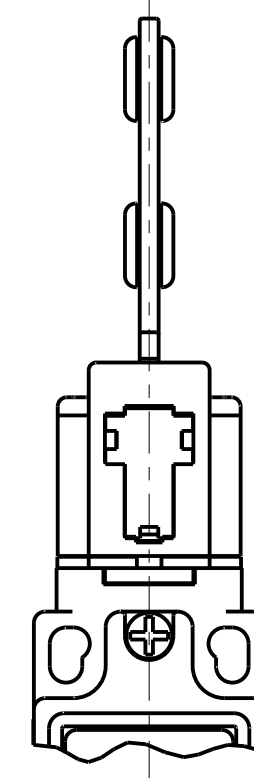
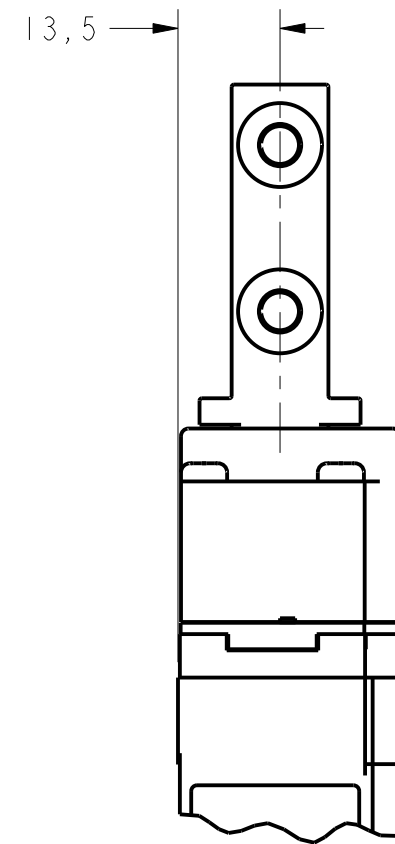
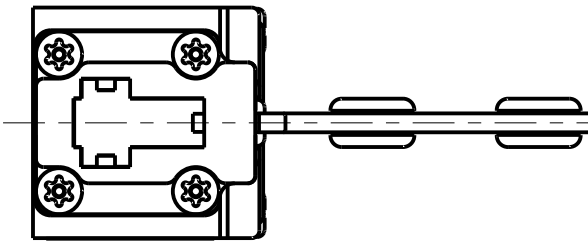
ELECTRICAL RATING				ENVIRONMENTAL		APPROVALS	
AC		DC		IP 66 NEMA 1, 12 & 13	TEMP RANGE: -25°C TO 85°C	IEC 60947-5-1 EN50047 	
A500/A600 $U_e/\sqrt{6}$	AC15 $I_e$	Q300 $U_e$	DC13 $I_e$				STORAGE: -40°C TO 85°C
(VOLTS)	(AMPS)	(VOLTS)	(AMPS)				SHOCK: 50G PER IEC 68-2-27
120	6	24	2.8				VIBRATION: 10G PER IEC 68-2-6
240	3	125	.55				
380	1.9	250	.27				
480	1.5						
500	1.4						
600	1.2						
ITH = 10A							

DESIGN UNITS: MM	DRAWN	MAM	23 JUN 05	<b>Honeywell</b>					
TOLERANCES UNLESS NOTED:	CHECK	-	23 JUN 05						
NO PLACE .X ± 1,000	THIS DRAWING COVERS A PROPRIETARY ITEM AND IS THE PROPERTY OF HONEYWELL. THIS DRAWING IS NOT TO BE COPIED OR USED WITHOUT THE PERMISSION OF HONEYWELL.			TITLE					
ONE PLACE .X ± 0,4				<b>SWITCH, KEY INTERLOCK</b>					
TWO PLACE .XX ± 0,15							SIZE	TYPE	DRAWING NAME
THREE PLACE .XXX ± 0,005							<b>C</b>	<b>I</b>	<b>GKE SERIES CHART 1</b>
FOUR PLACE .XXXX ± 0,0050							SCALE	FULL	SHEET 1 OF 3
ANGLES X ± 3	INTERPRET PER ASME Y14.5M-1994 OTHER HONEYWELL ENGINEERING STANDARDS MAY APPLY	Pro/ENGINEER	3D						

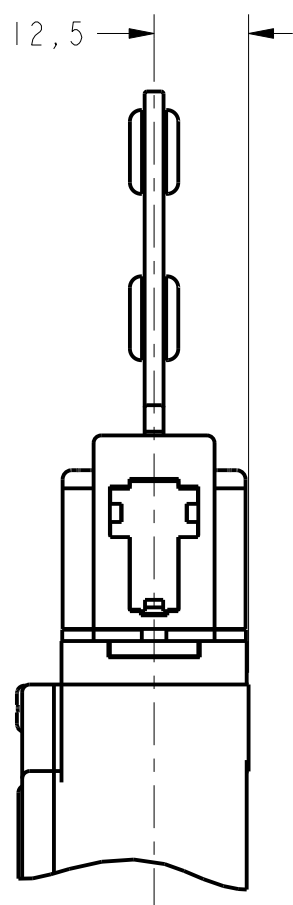
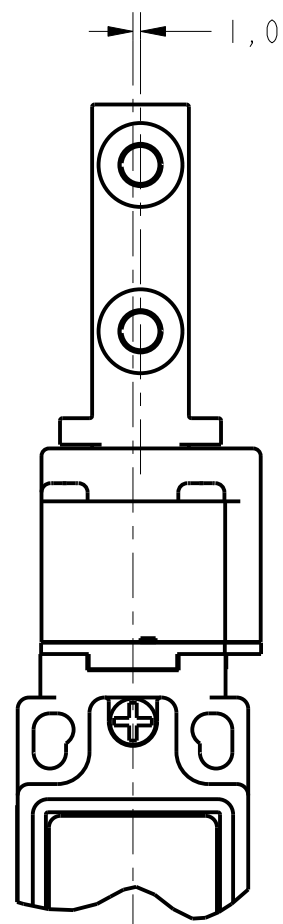
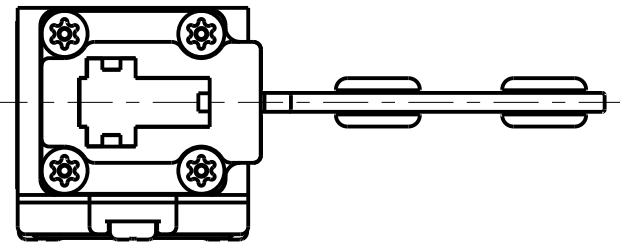


2X HOLES FOR M4 OR #8 SCREWS  $\triangle 10$

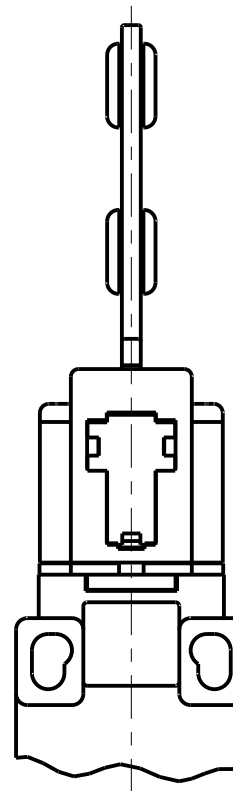
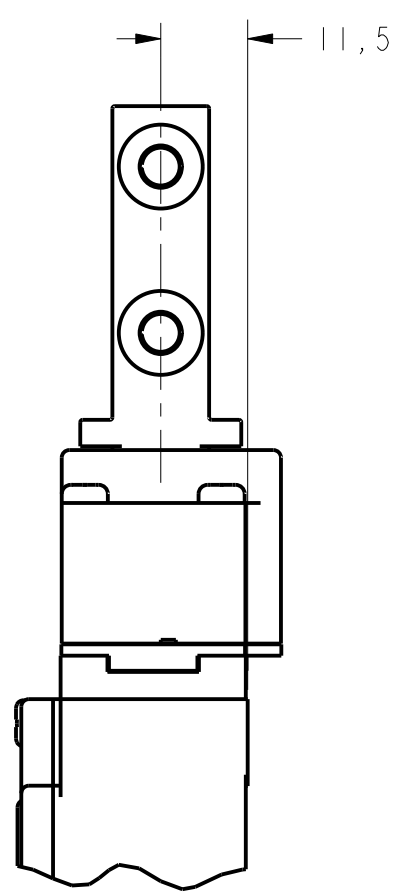
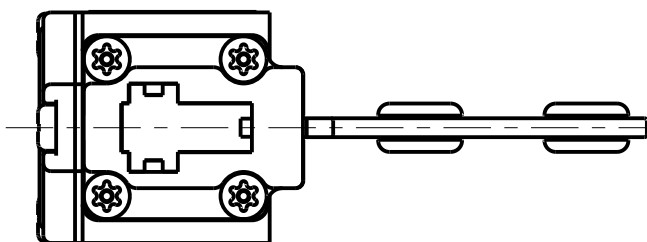
**ACTUATOR GKZ51M  $\triangle 9$**   
**STRAIGHT KEY**  
(STAINLESS STEEL)



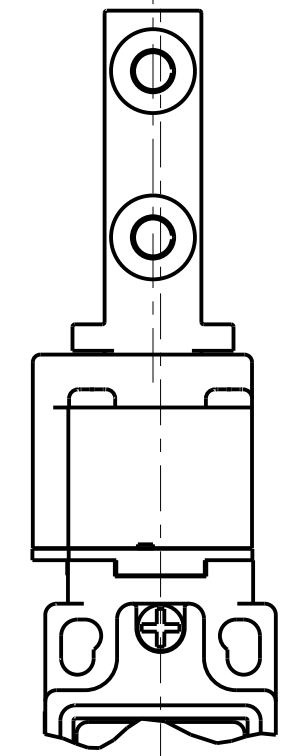
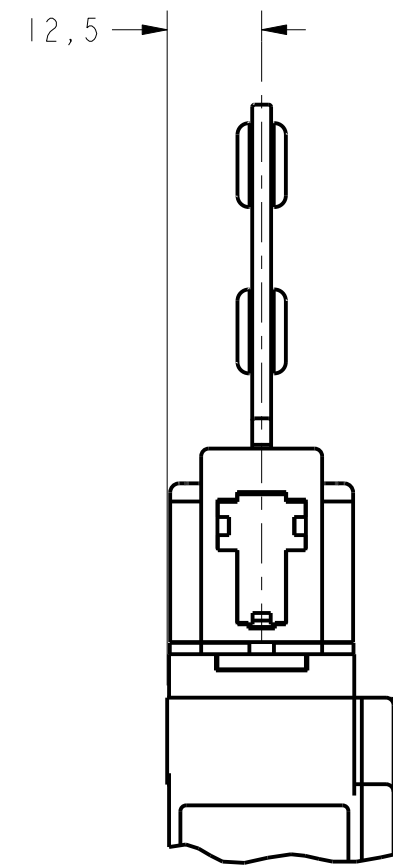
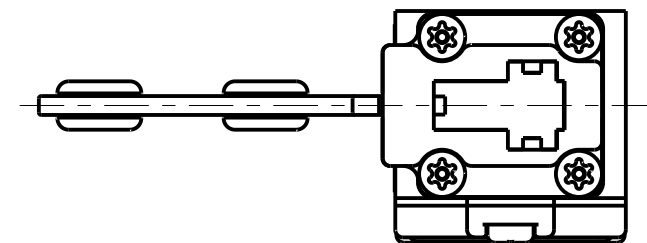
HEAD ORIENTATION CODE L



HEAD ORIENTATION CODE M



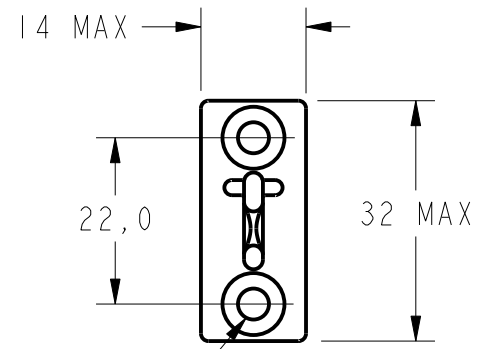
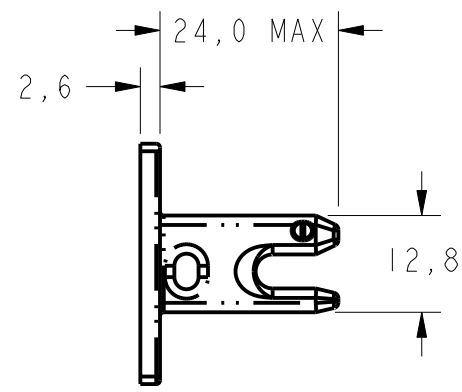
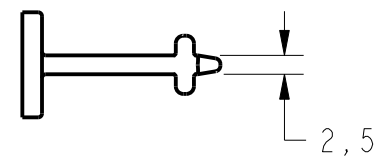
HEAD ORIENTATION CODE N



HEAD ORIENTATION CODE P

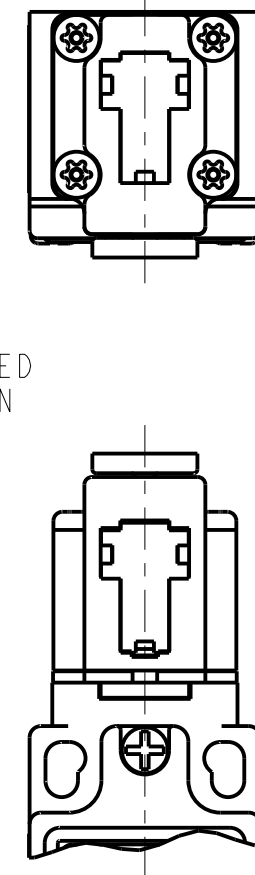
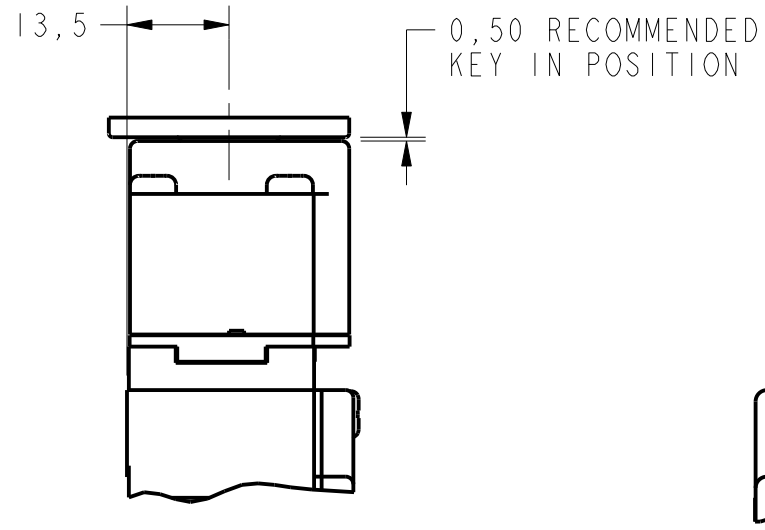
THIS DRAWING COVERS A PROPRIETARY ITEM AND IS THE PROPERTY OF HONEYWELL. THIS DRAWING IS NOT TO BE COPIED OR USED WITHOUT THE PERMISSION OF HONEYWELL.

<b>Honeywell</b>			
SIZE	DWG TYPE	DRAWING NAME	REV
<b>C</b>	<b>I</b>	<b>GKE SERIES CHART 1</b>	<b>B</b>
SCALE	FULL	SHEET	2 OF 3

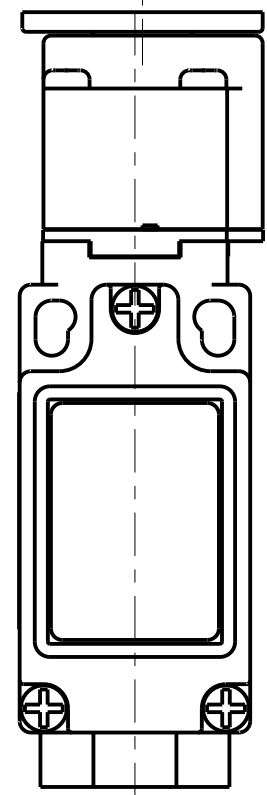
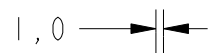
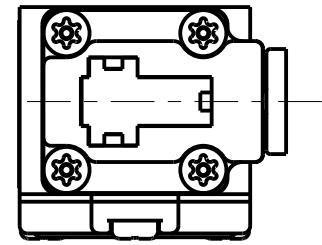


2X HOLES FOR M4 OR #8  
COUNTERSUNK SCREW  
WITH 45° COUNTERSINK  
X  $\nabla$  2,1  $\triangle$  10

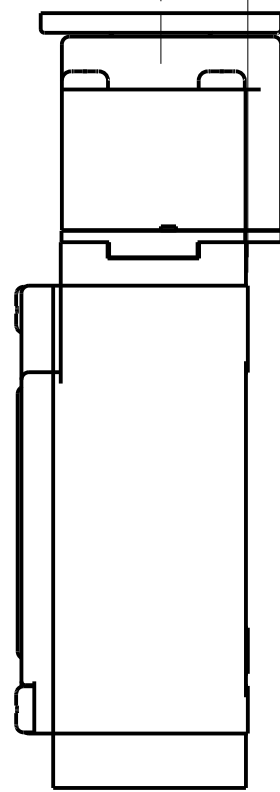
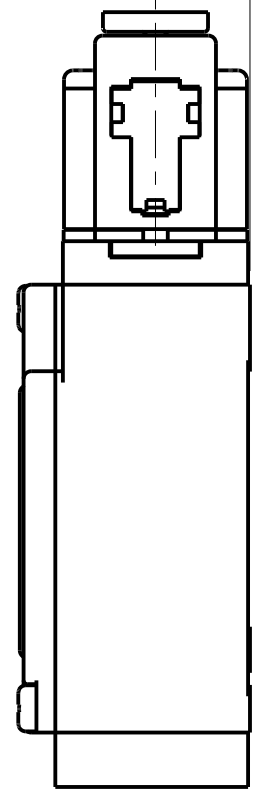
**ACTUATOR GKZ52M**  $\triangle$  9  
**90° KEY**  
(STAINLESS STEEL)



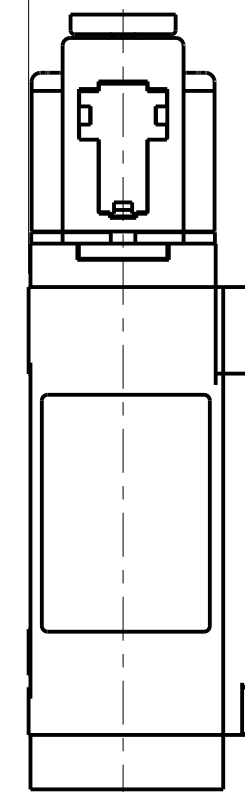
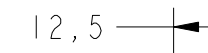
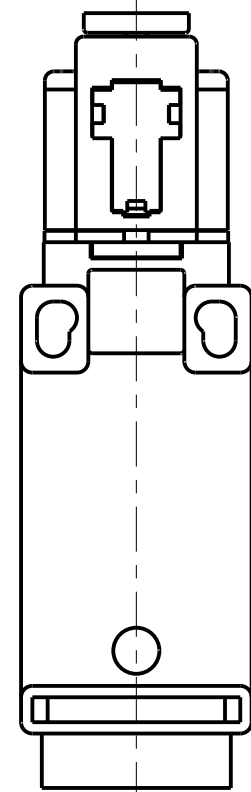
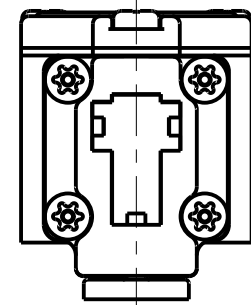
HEAD ORIENTATION CODE L



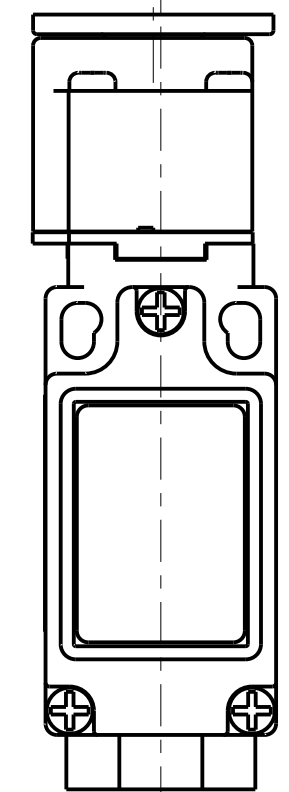
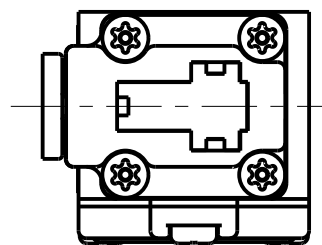
HEAD ORIENTATION CODE M



HEAD ORIENTATION CODE N



HEAD ORIENTATION CODE P



THIS DRAWING COVERS A PROPRIETARY  
ITEM AND IS THE PROPERTY OF  
HONEYWELL. THIS DRAWING IS  
NOT TO BE COPIED OR USED WITHOUT  
THE PERMISSION OF HONEYWELL.

<b>Honeywell</b>			
SIZE	DWG TYPE	DRAWING NAME	REV
<b>C</b>	<b>I</b>	<b>GKE SERIES CHART 1</b>	<b>B</b>
SCALE	FULL	SHEET	3 OF 3